

# TG2616AFCS-3

2.6mm F1.6  
for 1/3" format cameras  
CS-Mount

with Focus & Amplifier

Model No.	TG2616AFCS-3		Effective	Front	φ 19.0 mm
Focal Length	2.6mm		Lens Aperture	Rear	φ 7.1mm
Max. Aperture Ratio	1 : 1.6		Back Focal Length		7.6 mm
Max. Image Format	4.8 x 3.6mm (φ 6mm)		Flange Back Length		12.5 mm
Operation Range	Iris	F1.6 ~ 360	Mount		CS-Mount
	Focus	0.1m ~ Inf.	Filter Size		-
Control	Iris	Auto Iris (by galvanometer)	Dimensions		φ 32.0 × 39.8 × 34.7 mm
	Focus	Manual	Weight		50g
Object Dimension at M.O.D.	23.3 x 15.3cm				
Angle of View	D		121.2°		
	H	1/3"	98.7°		
	V		74.9°		
Supply Voltage	DC8 ~ 16V				
Current	Less than 35mA				
Response Time	Approx. 2 sec.				
Light Weighting Method	Adjustable between Average - Peak ( to be set at Average at factory )				
Input Signal	Video Signal (V or VS)				
Iris Accuracy	± 15% at Video Signal Level				
Sensitivity Adjustment	0.5 ~ 1.0Vp-p (Video Signal)				
Input Impedance	High Impedance				
Operating Temperature	-20 ~ +50° C				

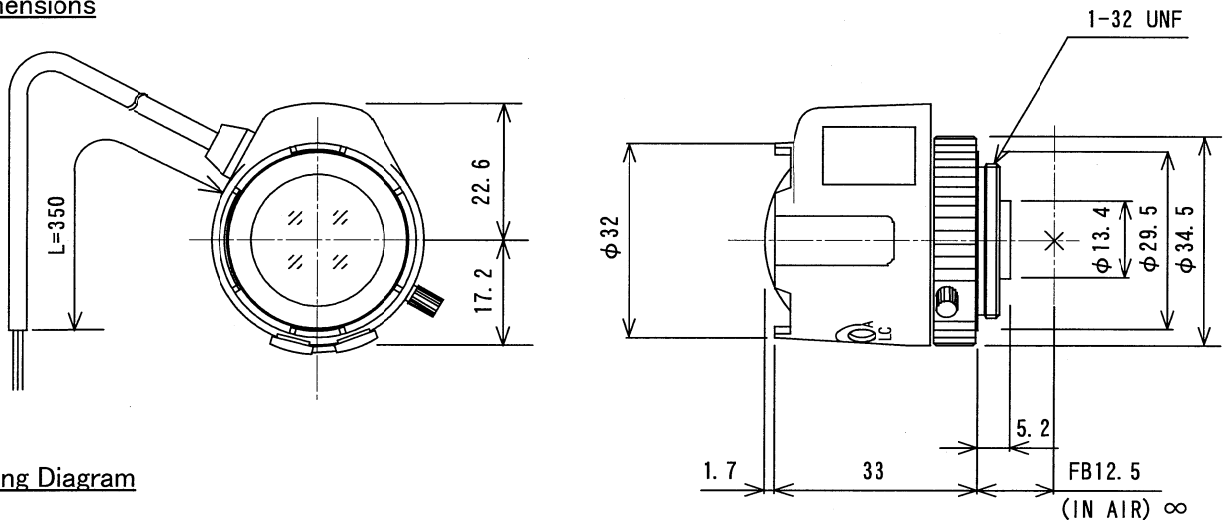
1/3

CS

AG

M.O.D. : Minimum Object Distance

Dimensions



Wiring Diagram

