

T10Z5712AMSP-CS
10X 5.7~57mm F1.2
for 1/3" format cameras
CS-Mount

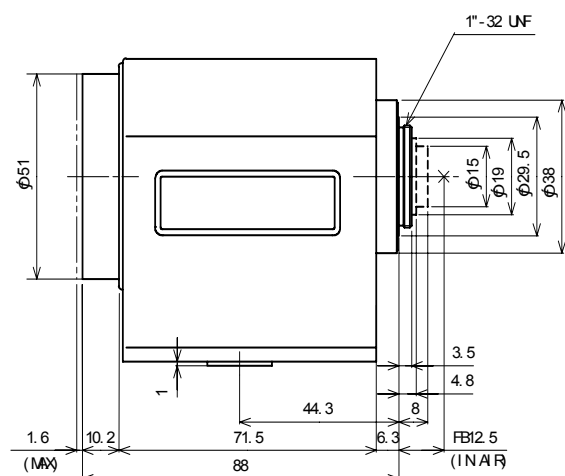
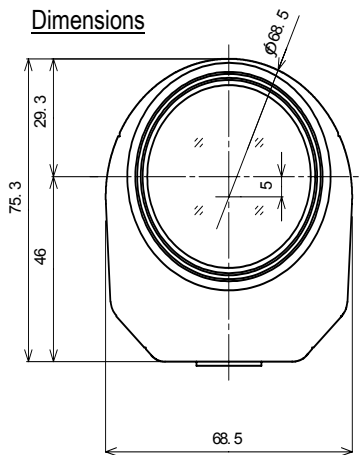
With Preset

Model No.	T10Z5712AMSP-CS		Effective	Front	φ45.0 mm
Focal Length	5.7~57mm		Lens Aperture	Rear	φ8.6mm
Max. Aperture Ratio	1 : 1.2		Back Focal Length	8.5 mm	
Max. Image Format	4.8 x 3.6mm (φ6mm)		Flange Back Length	12.5 mm	
Operation Range	Iris	F1.2 ~ 560	Mount	CS-Mount	
	Focus	1.8m ~ Inf.	Filter Size	M49 P=0.75 mm	
	Zoom	5.7~57mm	Tripod Screw	1/4"-20UNC	
Control	Iris	Auto Iris(by galvanometer)	Dimensions	W68.5 x H76.3 x D88mm	
	Focus	Motorized, Preset	Weight	510g	
	Zoom	Motorized, Preset			
Object Dimension at M.O.D.	5.7mm	37.1 x 27.9cm			
	57mm	3.8 x 2.9cm			
Angle of View	D	54.2~5.9°			
	H	1/3"	44.6~4.8°		
	V		34.2~3.7°		
Control	Iris	Focus	Zoom		
Supply Voltage	DC8.5 ~ 16V		DC8V	DC8V	
Current	40mA or less		25mA or less	25mA or less	
Response Time	Approx. 2 sec.		Approx. 3.5 sec.	Approx. 4 sec.	
Preset Potentiometer	□		5KΩVR	5KΩVR	
Light Weighting Method	Adjustable between Average - Peak (to be set at Average at factory)				
Remote Control	Level Remote				
Input Signal	Video Signal (V or VS)				
Iris Accuracy	± 15% at Video Signal Level				
Sensitivity Adjustment	0.5~1.0Vp-p (Video Signal)				
Input Impedance	High Impedance				
Operating Temperature	-10°C ~ +50°C				

1/3

CS

ZA



(B&W)
 Using with a B/W camera, Please use the attached "B/W aberration compensation Filter" and "FB compensation Spacer". the filter (M20 P=0.5mm) should be screwed onto the lens from rear side and the spacer should be placed between lens and camera.

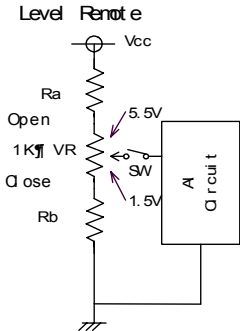
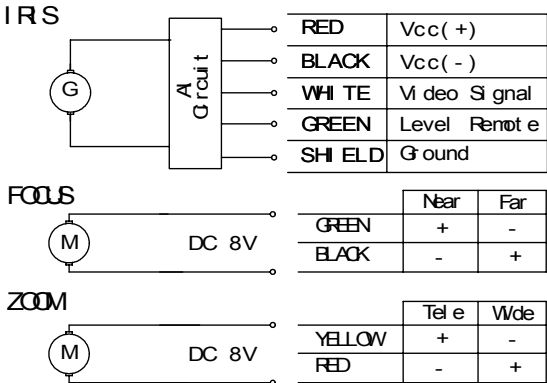
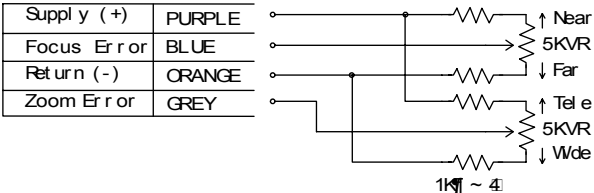
M.O.D. : Minimum Object Distance

T10Z5712AMSP-CS
10X 5.7~57mm F1.2
for 1/3" format cameras
CS-Mount

With Preset

Wiring Diagram

PRESET POTENTIOMETER



Remarks: Connect together with Black(Focus)and Red(Zoom) for common system when necessary.