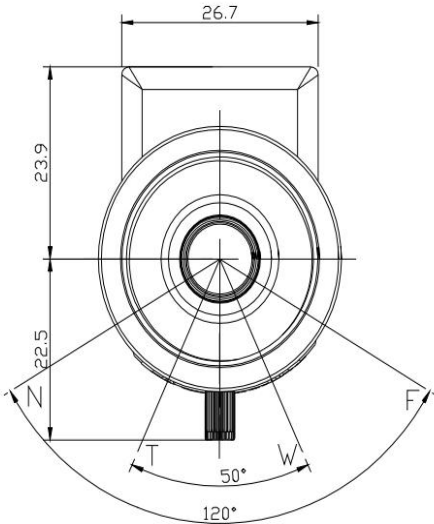
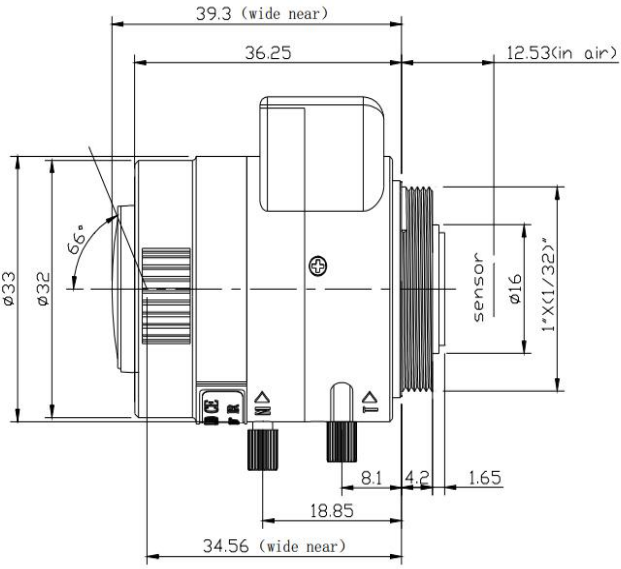


# SPECIFICATIONS

Parameter of Lens		Photo ( Just for Reference )	
Name	2Mega pixel/IR		
Model No	SSV2812PIRMP-2		
Focal-Length(mm)	2.8~12		
Aperture(D/f')	F1.4		
Mount	CS		
Format(inch)	1/3" 1/2.7"		
Field of View(H-fov)	106°~32°		
Mega pixel	2		
Weight(g)	40±4		
M.O.D(m)	0.3		
Operation	Focus		Manual
	Zoom		Manual
	Iris		P-Iris

<b>Size</b>				
-------------	---	--	--	--

<b>Tolerance</b>	Dimension	0-10	10-30	30-100	Unit
	Tolerance	±0.10	±0.20	±0.30	mm