
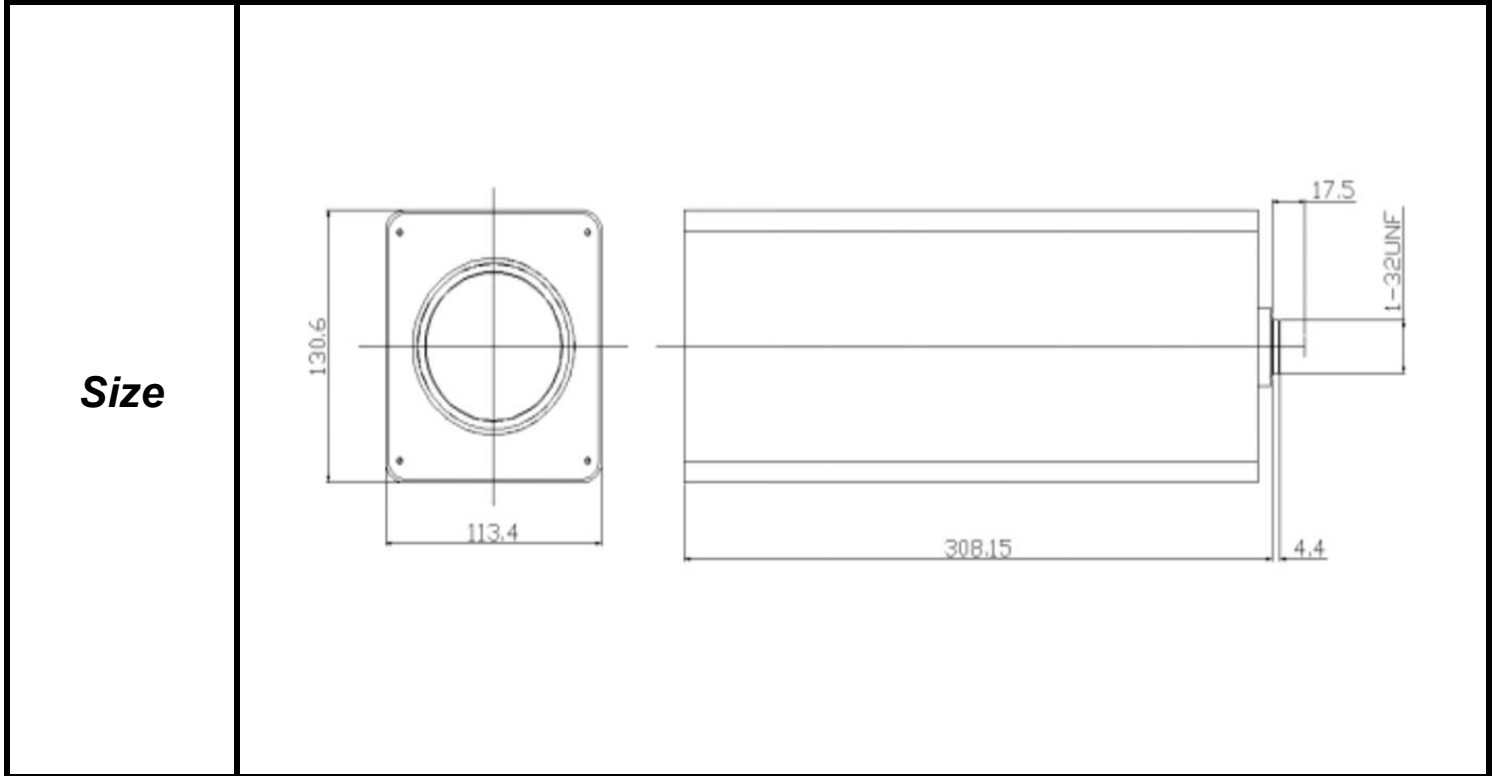


SPECIFICATIONS

Parameter of Lens		Photo (Just for Reference)
Name	2Mega pixel/IR	
Model No	SL15375GNBIRMP-2	
Focal-Length(mm)	15 ~ 375	
Aperture(D/f')	F2.8	
Mount	C	
Format(inch)	1/1.8"	
Field of View(H-fov)	31.2° ~ 1.28°	
Mega pixel	2	
Weight(g)	3400	
M.O.D(m)	3	
Operation	Focus	Motorized
	Zoom	Motorized
	Iris	DC-Iris



Tolerance	Dimension	0-10	10-30	30-100	Unit
	Tolerance		±0.10	±0.20	±0.30