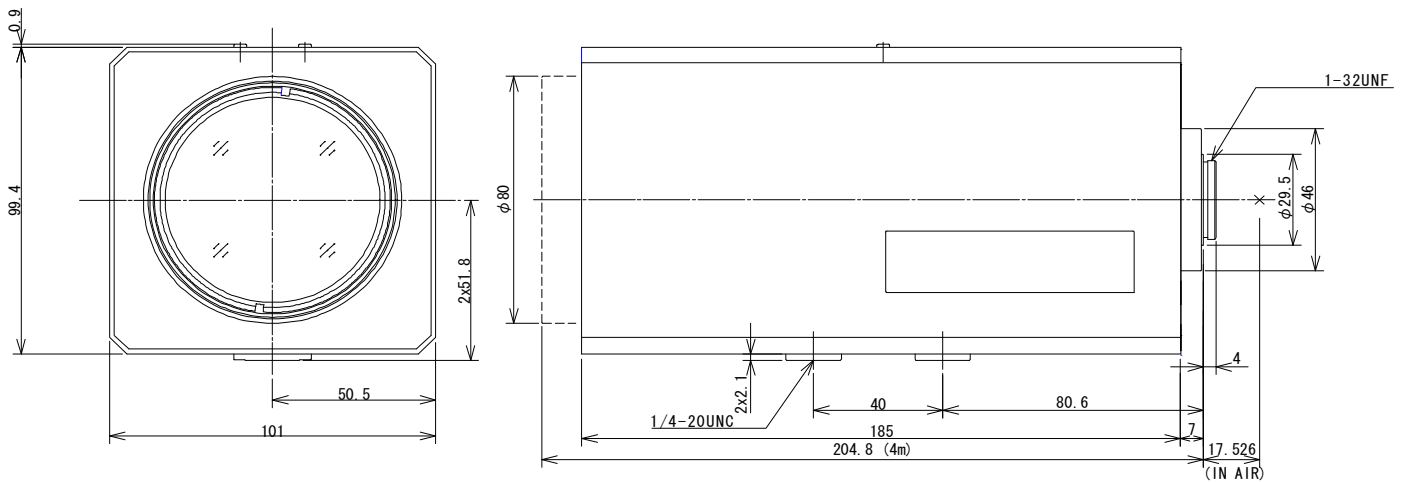


E24Z1018PDC-MPIR

24X 10mm-240mm F1.8 Day & Night
for 1/1.8 type 3 Megapixel Cameras, Motorized Zoom
C-Mount

Model No.	E24Z1018PDC-MPIR		Effective	Front	φ 66mm		
Focal Length	10mm - 240mm		Lens Aperture	Rear	φ 14mm		
Max. Aperture Ratio	1:1.8		Back Focal Length		14.1mm		
Max. Image Circle	φ 8.9mm		Flange Back Length		17.526mm		
Operation Range	Iris	F1.8 - F500C	Mount		C-Mount		
	Focus	4m - Inf.	Filter Size		M77 P=1mm		
	Zoom	10mm - 240mm	Tripod Screw		1/4 -20UNC		
Control	Iris	DC Auto Iris	Dimensions		W101mm x H102.4mm x D204.8mm		
	Focus	Motorized	Weight		2140g		
	Zoom	Motorized					
Angle of View	D	1/1.8 type	48.4° - 2.2°	1/2 type	43.7° - 2.0°	1/3 type	33.0° - 1.5°
	H	(4:3)	39.0° - 1.7°	(4:3)	35.2° - 1.6°	(4:3)	26.5° - 1.2°
	V		29.5° - 1.3°		26.5° - 1.2°		19.9° - 0.9°
	Iris			Focus	Zoom		
Supply Voltage	—		DC6V		DC6V		
Current	—		90mA or less		90mA or less		
Response Time	—		Approx. 6.5 sec.		Approx. 6.5 sec.		
Preset Potentiometer	—		5k Ω VR		5k Ω VR		
Coil	Drive	190 Ω					
	Control	1000 Ω					
Operating Temperature	-10°C - +50°C						

Dimensions



Wiring Diagram

PRESET POTENTIOMETER

