



**For Surveillance**  
Telephoto Zoom

Applicable camera (model)

**D60x12.5R3DE-V41**

1	1/3	1/2	2/3	1/4
---	-----	-----	-----	-----

60x

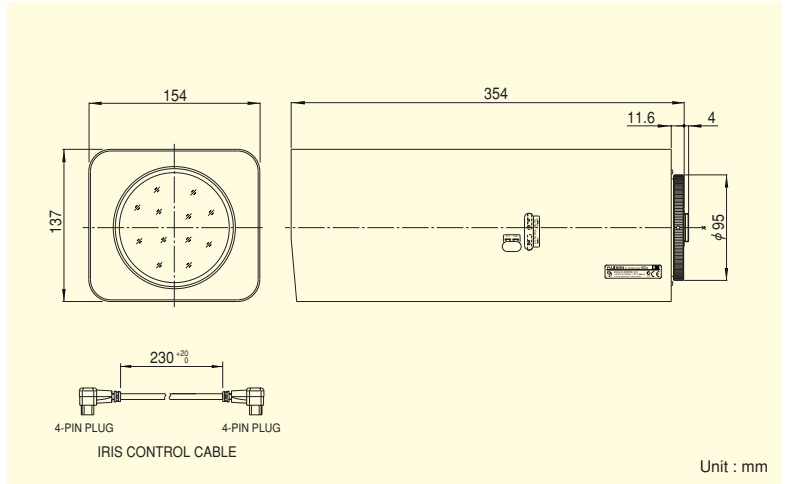
NEW



\*Photograph is a similar model.

- Offering F3.8 brightness and 60x zoom (focal length of 1500mm when used with an extender), these lenses are suited for long-range surveillance, such as for seaport security.
- The compact and lightweight design allows establishment of compact remote surveillance systems.
- Day/Night capability for high-quality imaging around the clock.
- Equipped with a 2x extender that provides clear identification of individuals activities at a distance of 3km.
- Multi-power compatibility for connection to existing surveillance systems for zoom operation.
- Iris Override function allows manual iris adjustment.

<b>ZOOM</b> Zoom	<b>WIDE</b> Wide Angle	<b>TELE</b> Telephoto Long Focal	<b>MOTOR DRIVE</b> Motor Drive	<b>Day~Night</b> Day & Night	<b>VIDEO</b> Video Auto Iris	<b>IRIS-REMOTE</b> Iris Remote
<b>C-mt</b> C Mount	<b>METAL</b> Metal Mount	<b>ND</b> ND Filter	<b>2x</b> Extender	<b>F3.8</b> Wide Aperture Rate		

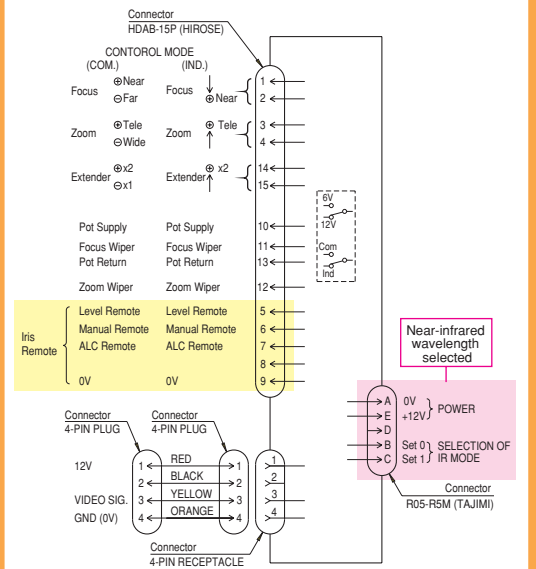


TELEPHOTO ZOOM LENSES

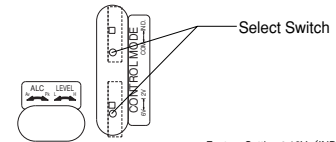
Unit : mm

		1x	2x	
Focal Length (mm)		12.5~750 (60x)	25~1500 (60x)	
Iris Range		F3.8~T3000 (Equivalent to F3000)	F7.6~T3000 (Equivalent to F3000)	
Operation	Zoom	Motor Drive		
	Focus	Motor Drive		
	Iris	Auto (Video Type) or Remote		
Angle Of View (HxV)	1/2"	WIDE	28°43' × 21°44'	14°35' × 10°58'
		TELE	0°29' × 0°22'	0°15' × 0°11'
	1/3"	WIDE	21°44' × 16°23'	10°58' × 8°14'
		TELE	0°22' × 0°17'	0°11' × 0°08'
	1/4"	WIDE	16°23' × 12°20'	8°14' × 6°11'
		TELE	0°17' × 0°08'	0°08' × 0°06'
Focusing Range (From Front Of The Lens) (m)		∞ ~ 5		
Object Dimensions at M.O.D. (HxV) (mm)	1/2"	WIDE	2465 × 1849	1233 × 924
		TELE	41 × 35	21 × 55
	1/3"	WIDE	1849 × 1837	925 × 693
		TELE	31 × 23	16 × 12
	1/4"	WIDE	1387 × 1040	693 × 520
		TELE	23 × 17	12 × 9
Back Focal Distance (in air) (mm)		53.23		
Exit Pupil Position (From Image Plane) (mm)		-64		
Filter Thread (mm)		M107x1		
Mount		C		
Extender		2x		
Mass (kg)		5.2		
Standard Accessories		Iris Control Cable Connection Connector		
Remarks		• With Metal Mount		

**Wiring**



**Control Mode (Side View)**



Factory Setting : 12V / IND.

Controller output	Select switch position
6V	6V / IND.
±6V	6V / COM.
12V	12V / IND.
±12V	12V / COM.

**Near-infrared wavelength selected**

